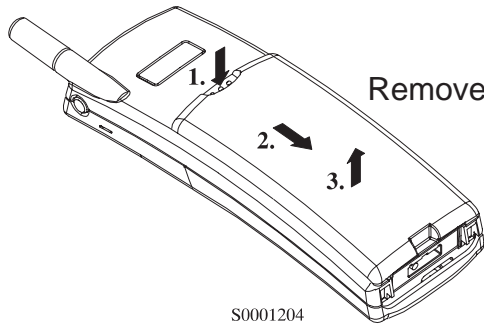


# **PAMS Technical Documentation**

## **NHE-6/NHK-6 DISASSEMBLY INSTRUCTIONS**

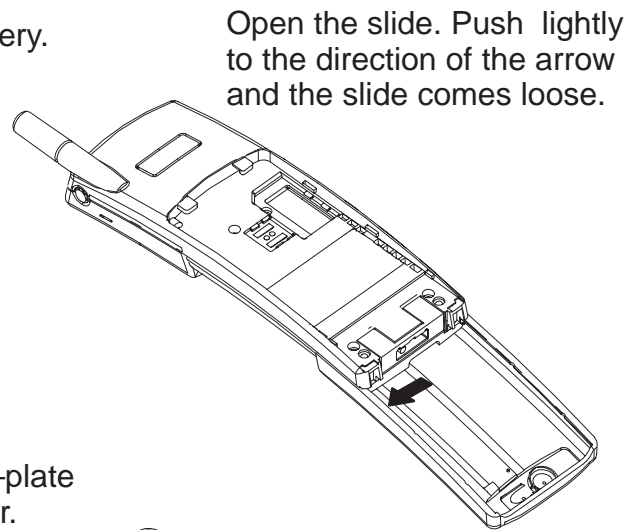


# Disassembly Instructions

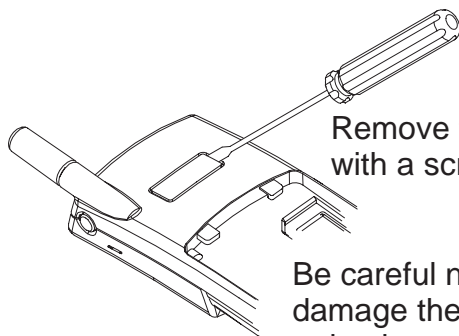


Remove the battery.

S0001204

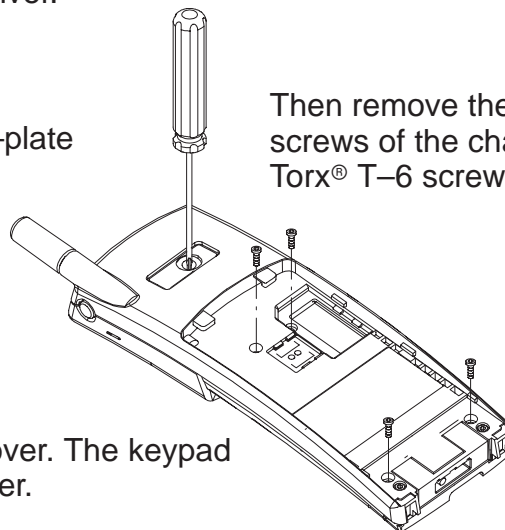


Open the slide. Push lightly to the direction of the arrow and the slide comes loose.

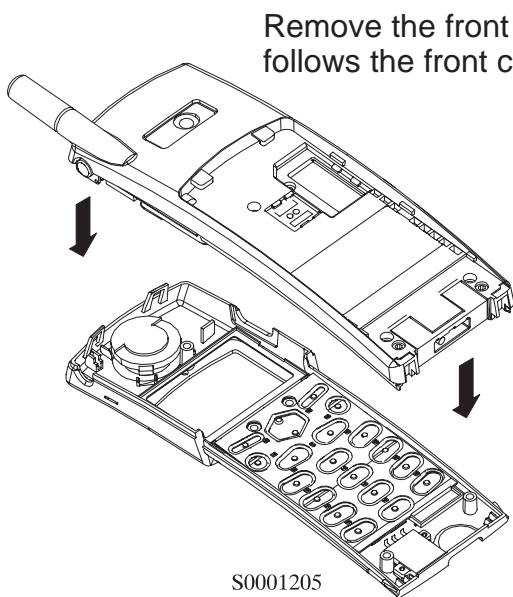


Remove the logo-plate with a screw driver.

Be careful not to damage the logo-plate or back cover.

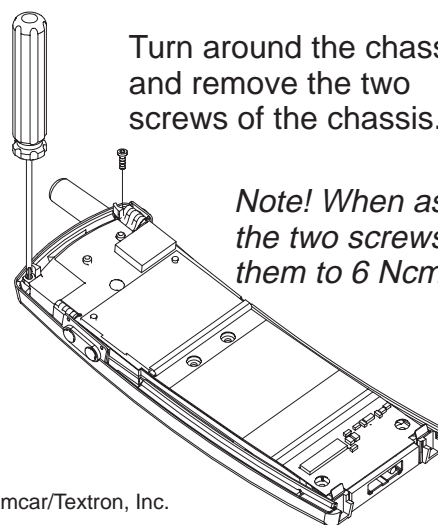


Then remove the five screws of the chassis with Torx® T-6 screwdriver.



Remove the front cover. The keypad follows the front cover.

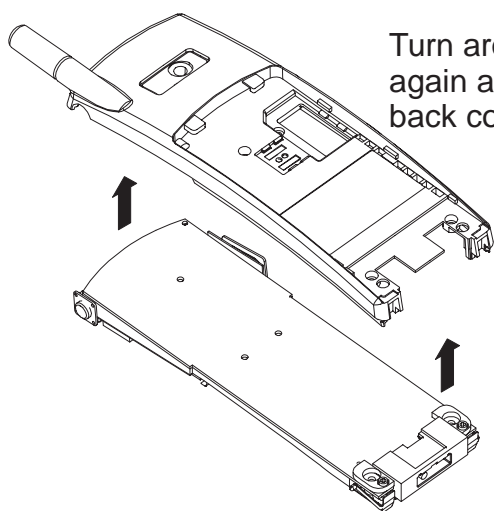
S0001205



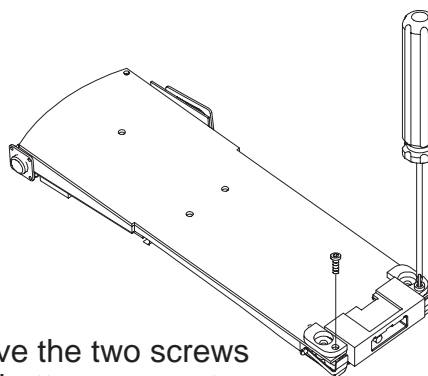
Turn around the chassis and remove the two screws of the chassis.

*Note! When assembling the two screws tighten them to 6 Ncm torque.*

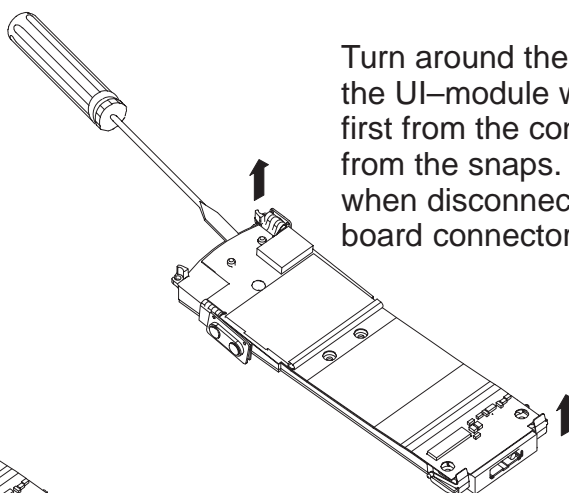
Torx® is trademark of Camcar/Textron, Inc.



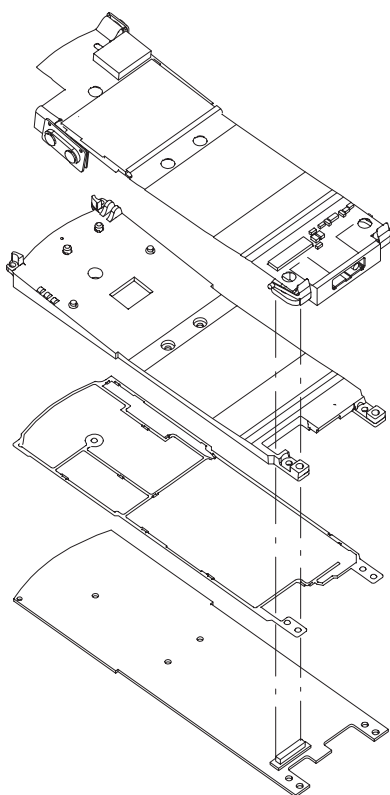
Turn around the chassis again and remove the back cover.



Remove the two screws of the bottom connector.



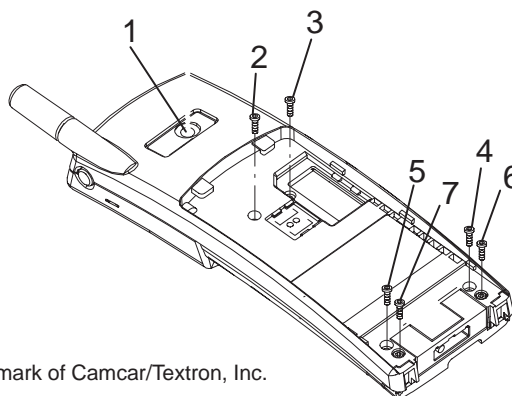
Turn around the chassis and remove the UI-module with a screw driver, first from the connector and then from the snaps. Note: Be careful when disconnecting the board-to-board connector.



Now the parts can be separated.

S0001206

*Note! In assembly of the seven Torx® T-6 screws use tightening order below. Drive the screws to torque of  $0.20 \pm 0.02$ Nm.*



Torx® is trademark of Camcar/Textron, Inc.

## Front Cover Installation

**NOTE:** If A-cover does not include the speaker, follow instruction in section: *Speaker Installation.*

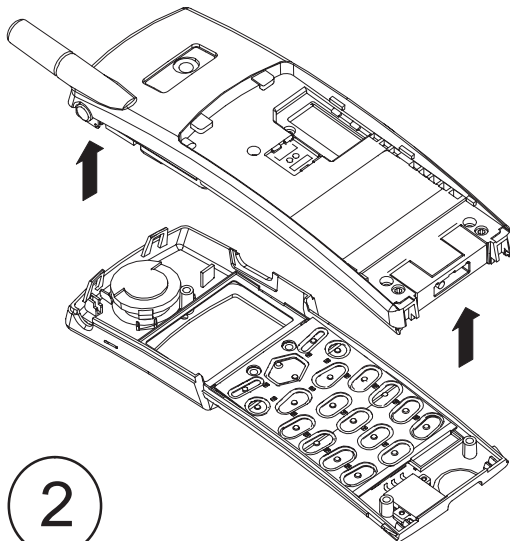
1

Check that inside of the window is free of dust or rubbish.

Place the keypad in Front Cover and then press front and back cover together.

Make sure that:

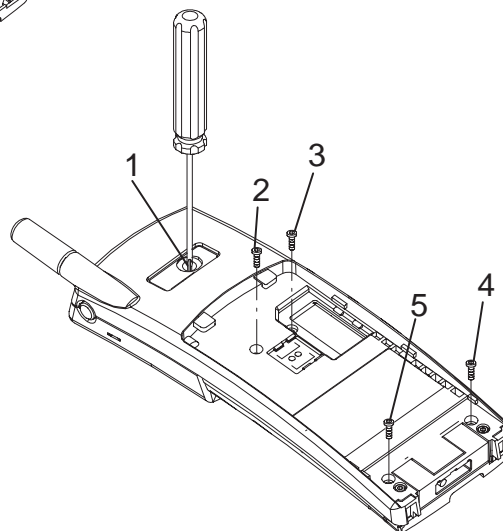
- 1 Snaps at upper end lock to each other securely.
- 2 Power or volume keys are not squashed between front and back cover.
- 3 Buzzer sound hole isn't blocked by the buzzer gasket.



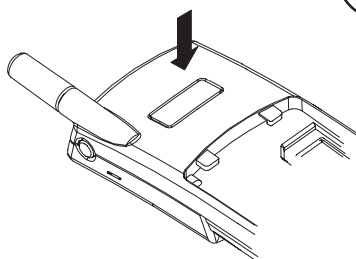
2

Screw on five Torx® T-6 screws to torque  $0.20 \pm 0.02\text{Nm}$

Screw them on at order shown right.



3



If logo-plate slot at back cover has any glue residues, remove them.

Install logo-plate and press it firmly onto the back cover by fingers.

Use of a new logo-plate is recommended to ensure good adhesion to back cover.

Torx® is trademark of Camcar/Textron, Inc.

This page intentionally left blank.